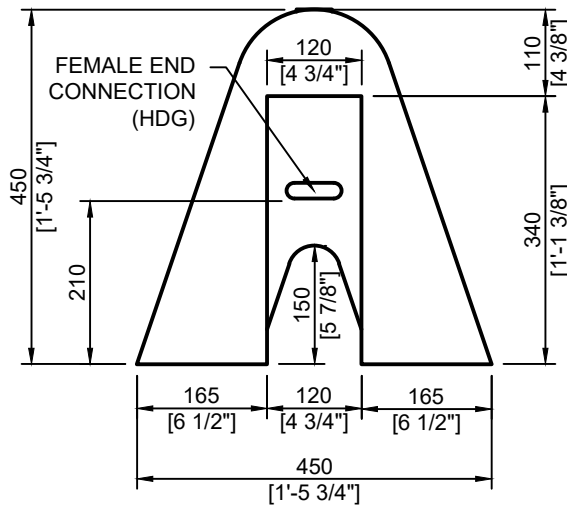
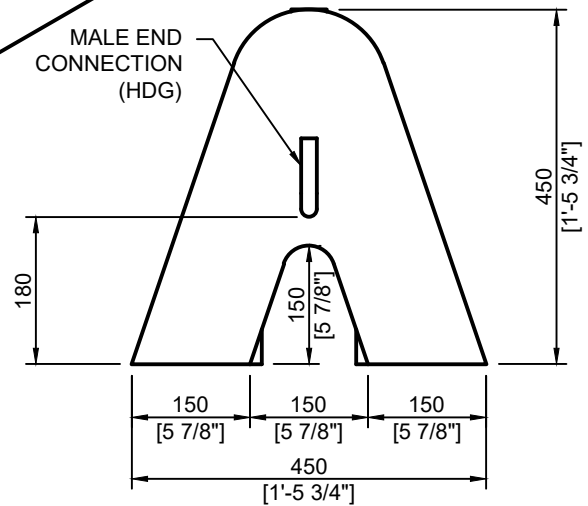
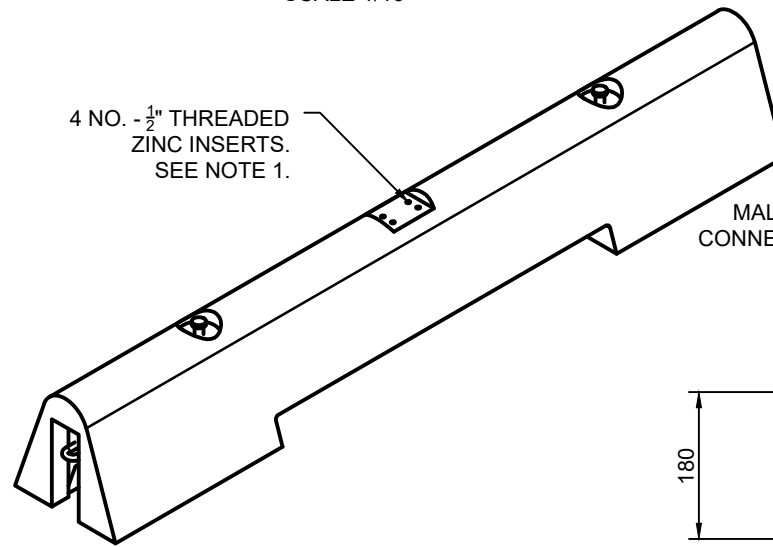


SIDE VIEW  
SCALE 1/16



FEMALE END VIEW  
SCALE 1/10



MALE END VIEW  
SCALE 1/10



MANUFACTURED:  
LINDSAY, ON  
1-800-655-3430

CONCRETE: 45MPa / 6,000PSI  
AIR ENTRAINMENT: 5-8%  
REINFORCEMENT : STEEL TO CSA CAN A23.1 /  
A23.2. G30.18 Fy=400MPa

WEIGHT:  
1,670lbs / 759kg

NOTES  
1. DELINEATOR AND BOLTS BY OTHER  
2. ZINC INSERTS NATIONAL COARSE THREADS.

DRAWN BY:  
SR

DATE:  
JUNE/2024

LOW WALL BARRIER DELINEATOR

BCP REFERENCE: 414186